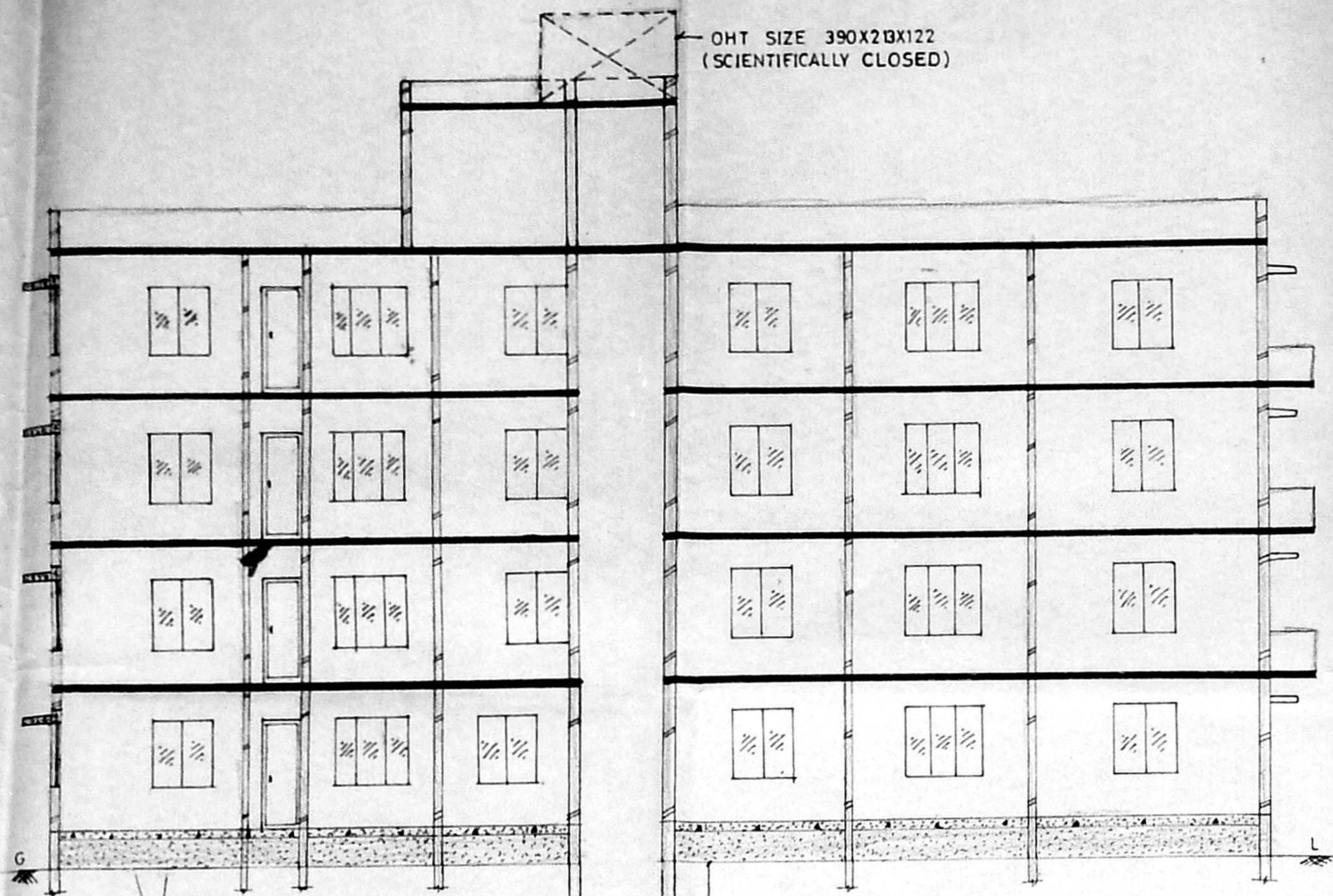
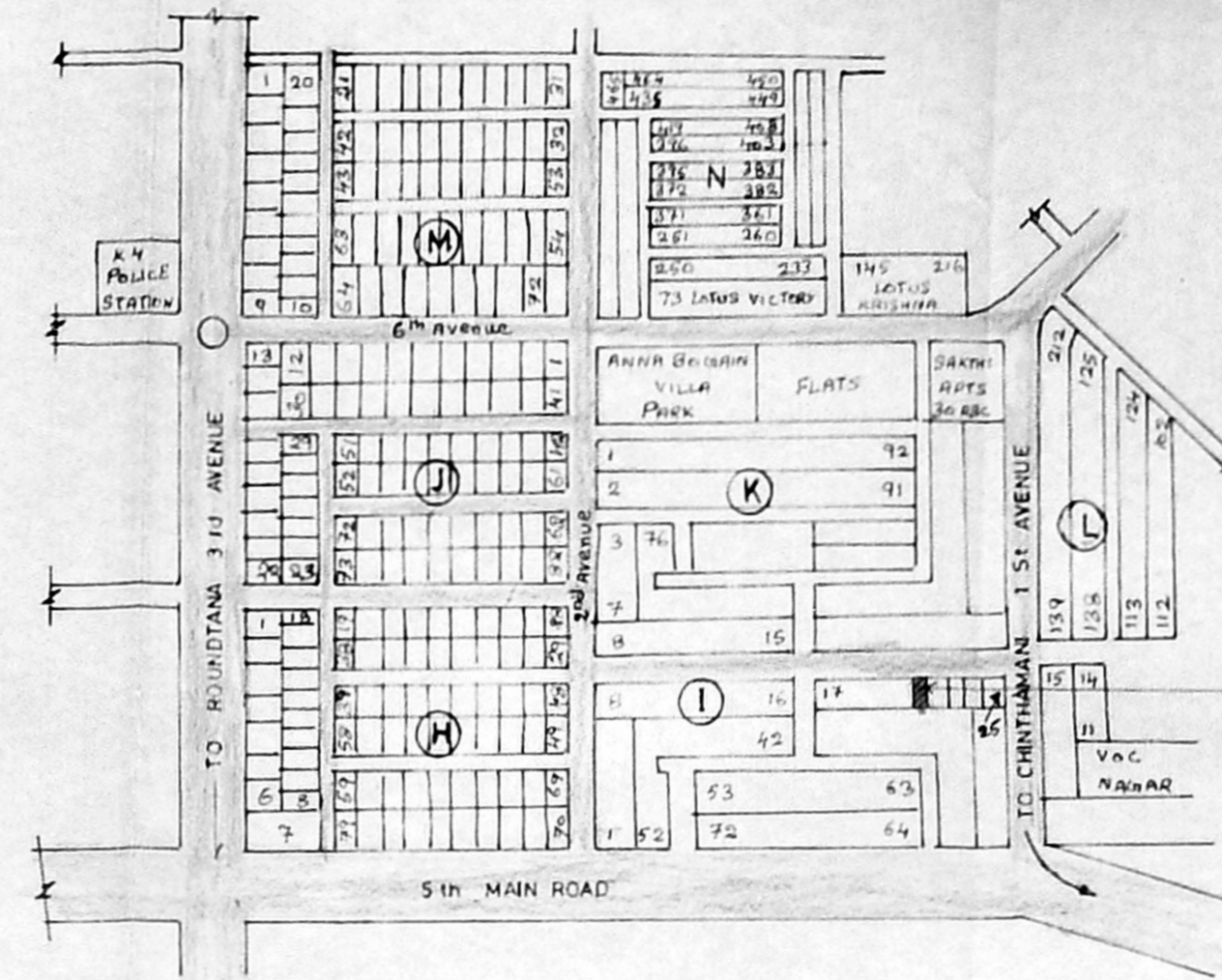


Elevation



Section 'yy'



Key plan

SPECIFICATION
 RCC COLUMN FOUNDATION IN CCM 1:4:8.
 SAND FILLING FOR FOUNDATION AND BASEMENT.
 BRICK WORK IN CM 1:6 USING CLASS ONE BRICKS.
 FLOORING CONCRETE IN PCC 1:4:8 FINISHING WITH POLISHED TILES.
 R.C.C. ITEMS IN 1:1 1/2:3 WITH NECESSARY DRAINAGE.
 ROOF SHALL BE OF RCC SLAB FINISHING WITH WITH POLISHED TILES.
 C.M.A. (B) HEATHING COURSE.
 C. No. B. 23727/198 FOR CEILING AND WALL WITH CM 1:3 AND 1/4.
 Asst. JOINERIES IN BEST COUNTRY WOOD.
 Scrutiny P. A. 2/1/79

JOINERY DETAILS

D	DOOR	7' 0" X 7' 0" (91 X 213)
D1	"	2' 6" X 7' 0" (76 X 213)
D2	"	5' 0" X 4' 6" (152 X 137)
W	WINDOW	4' 0" X 4' 6" (122 X 137)
W1	"	4' 0" X 3' 0" (122 X 91)
V	VENTILATOR	4' 0" X 3' 0" (122 X 91)
V1	"	3' 0" X 2' 0" (91 X 61)

AREA DETAILS

DETAILS	SFT	SQM
PLOT AREA	5000.00	464.50
GROUND FLOOR	1733	161
FIRST FLOOR	1914	177.80
SECOND FLOOR	1914	177.80
THIRD FLOOR	1914	177.80
TOTAL PLINTH AREA	7475	694.40

F.S.I	1.495
PLOT COVERAGE	35%
HEAD ROOM LIFT MC ROOM (NON F.S.I)	207.74 19.30

COLOUR INDEX

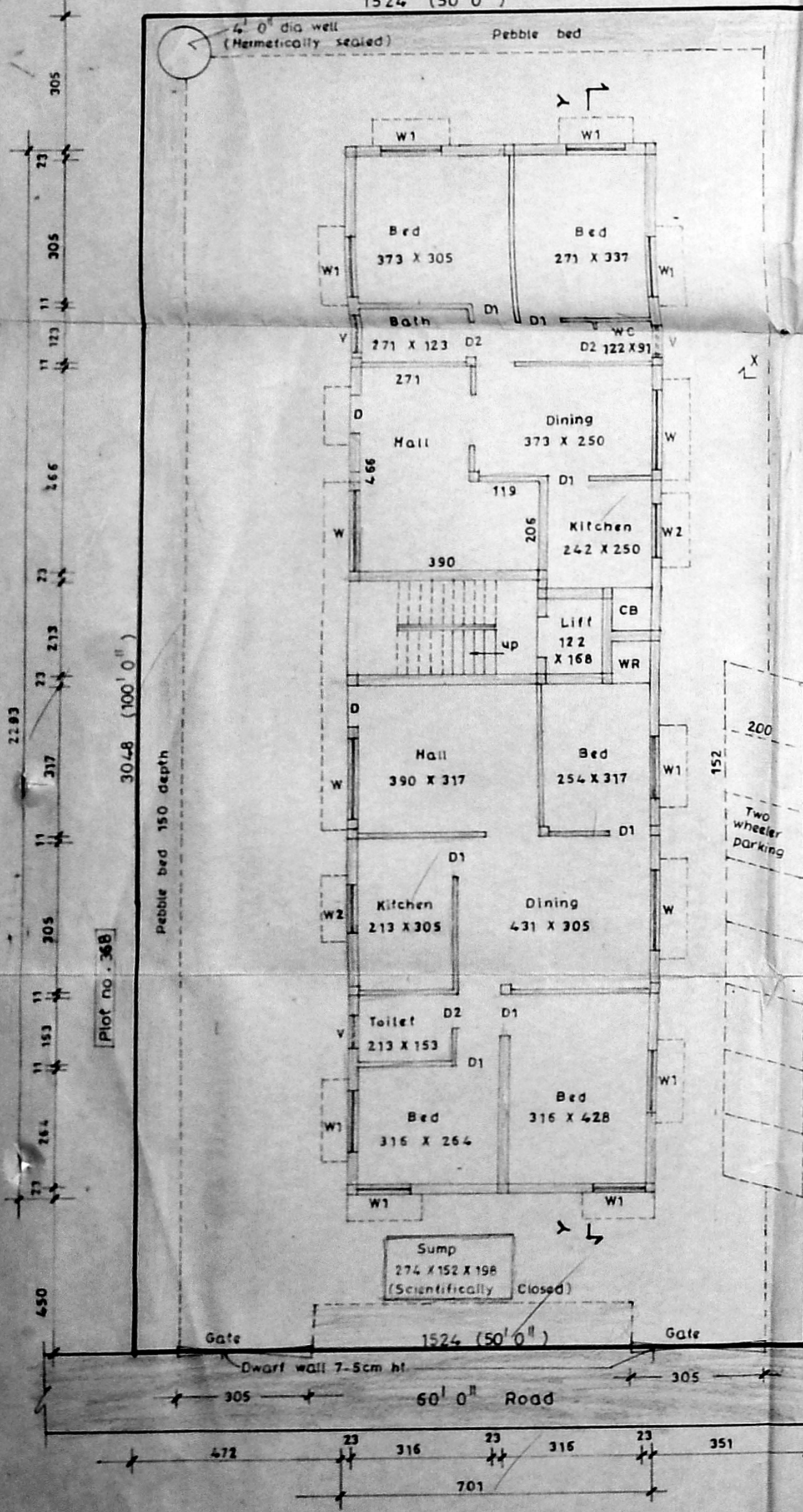
PROPOSED	[Color swatch]
ROAD	[Color swatch]
BOUNDARY	[Color swatch]

PROPOSED RESIDENTIAL BUILDING AT PLOT NO-369 (S.NO-48 pt. & 49pt. OF PERIAKUDUL VILLAGE) DOOR NO.21, 'I'-BLOCK ANNA NAGAR, CHENNAI-600 040.

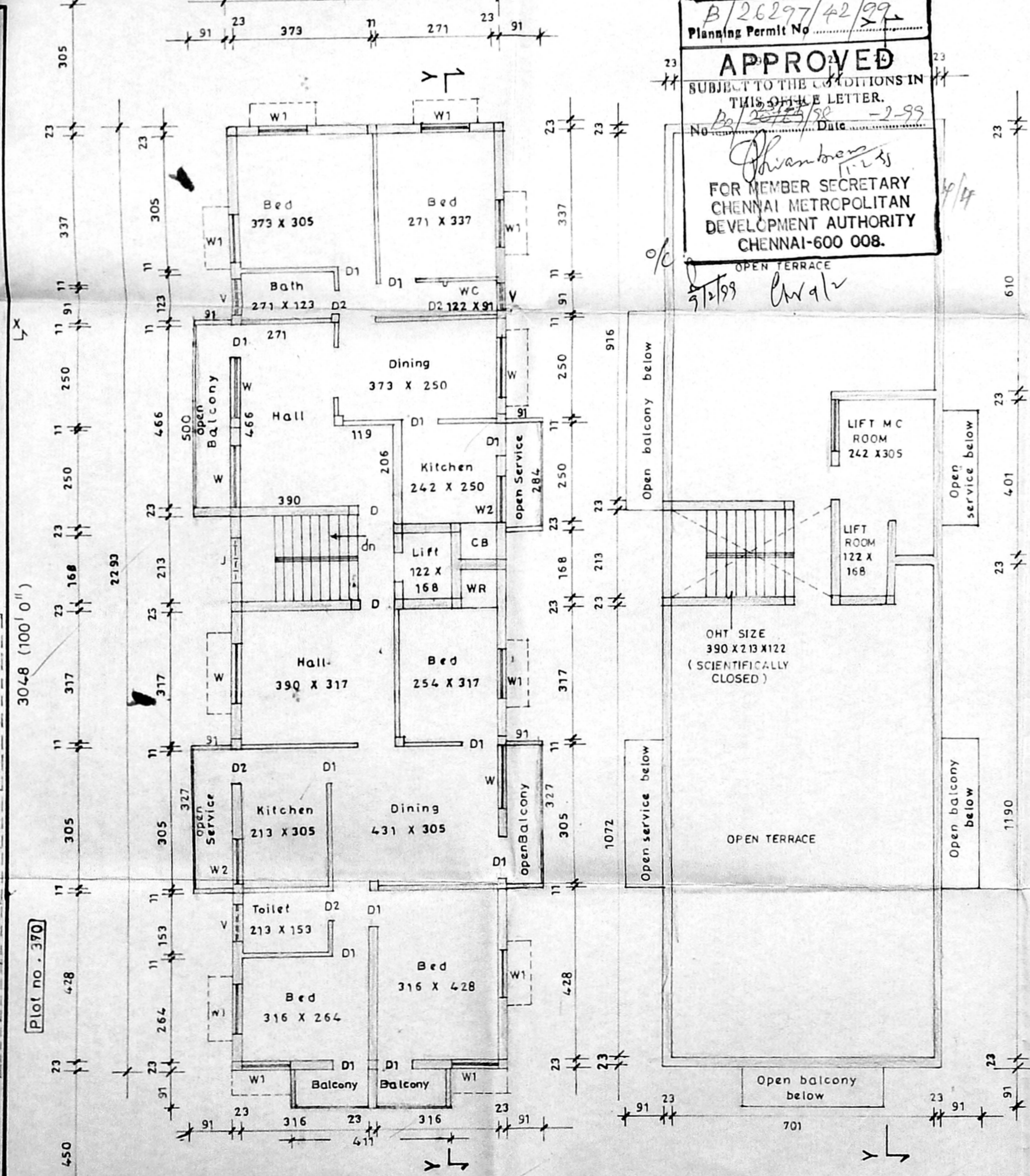
SCALE: 1:100	DRG-NO-H-333
DATE: 26 SEP 98	DRN BY: D.R.K

OWNER

LICENCED SURVEYORS
V. SUNDARARAJULU & ASSOCIATES
 ENGINEERS, VALUERS, SURVEYORS, ARBITRATORS.
 410, TVS AVENUE, ANNA NAGAR WEST EXTN., CHENNAI-600 101, PH: 625 68 75.



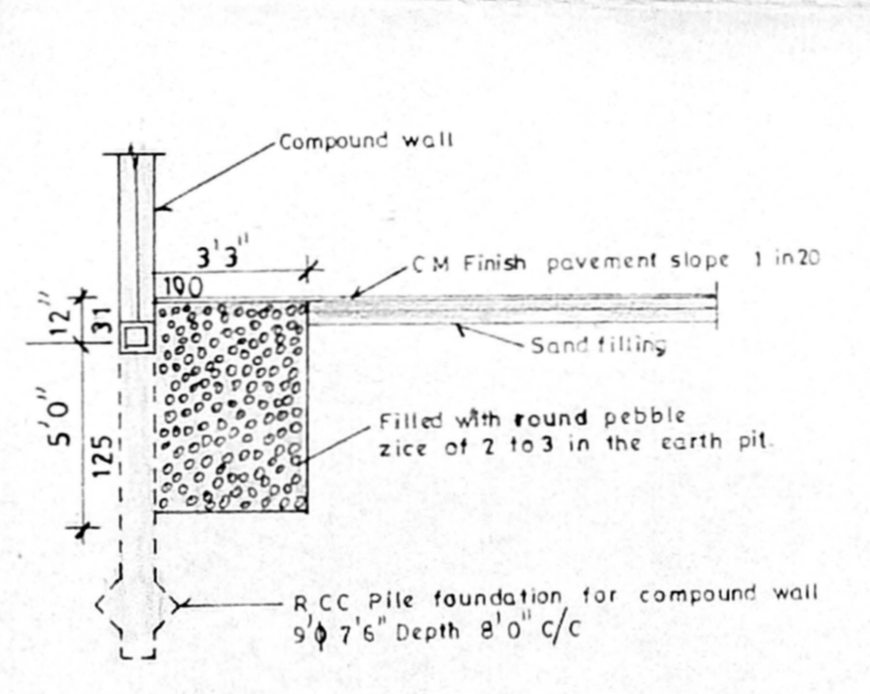
Ground floor plan cum Site plan



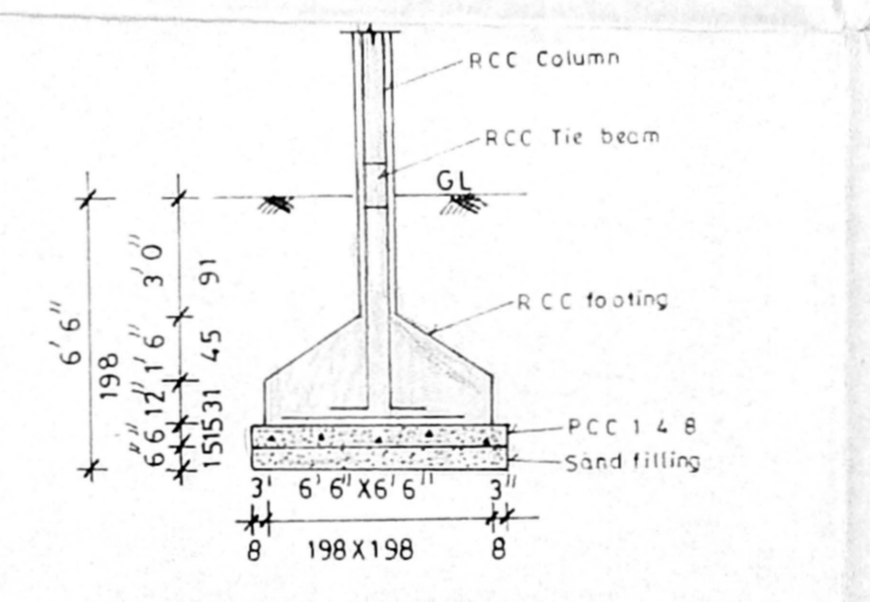
Typical Floor Plan (1st 2nd & 3rd)

Terrace floor plan

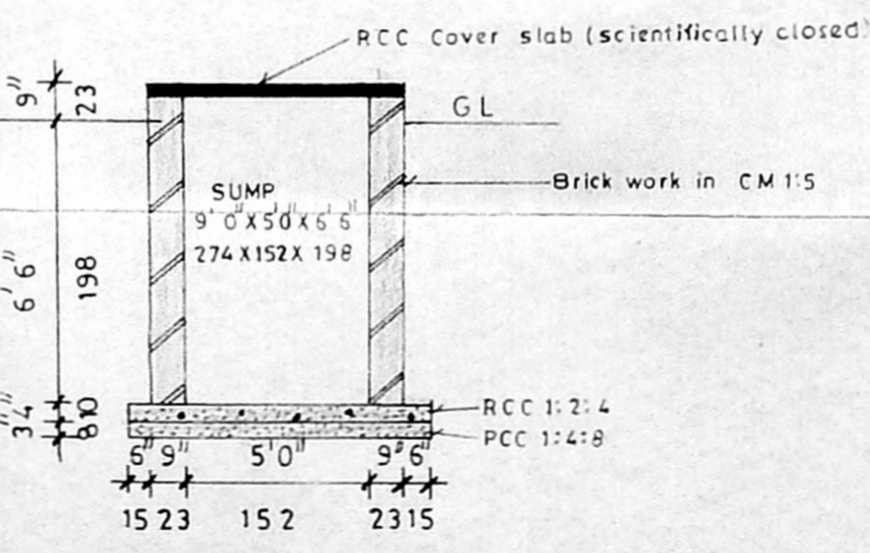
B/20297/42/99
 Planning Permit No. 20297/42/99
APPROVED
 SUBJECT TO THE CONDITIONS IN THIS OFFICE LETTER.
 No. 20297/42/99 Date - 2-99
 FOR MEMBER SECRETARY CHENNAI METROPOLITAN DEVELOPMENT AUTHORITY CHENNAI-600 008.



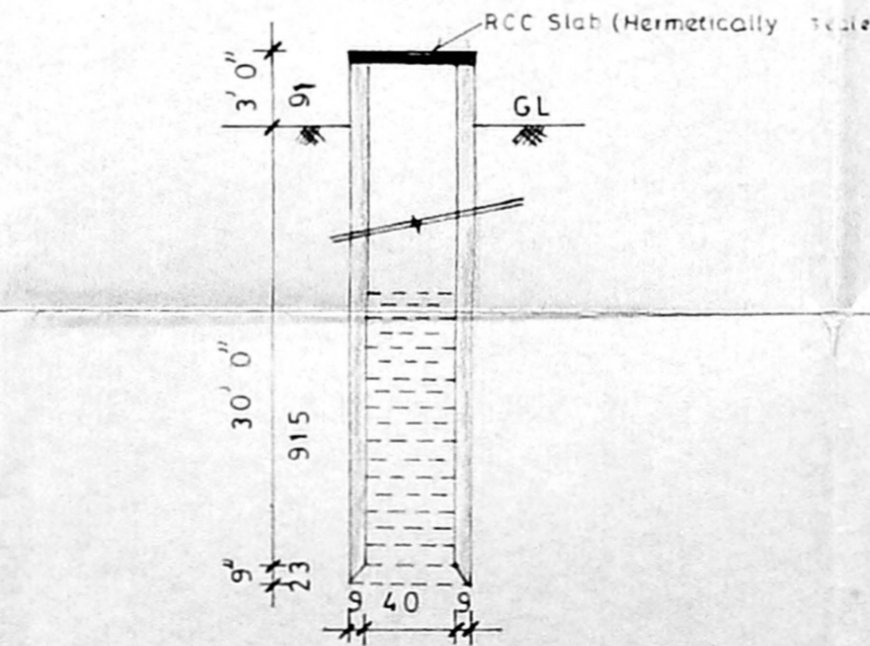
Section xx (Pebble bed details)



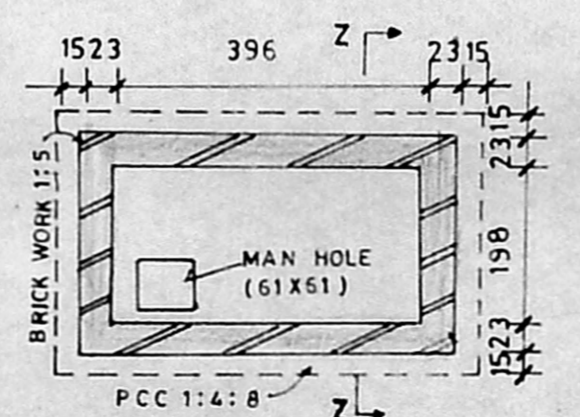
Foundation details



Sump details (Section 'zz')



Well details



Plan of sump